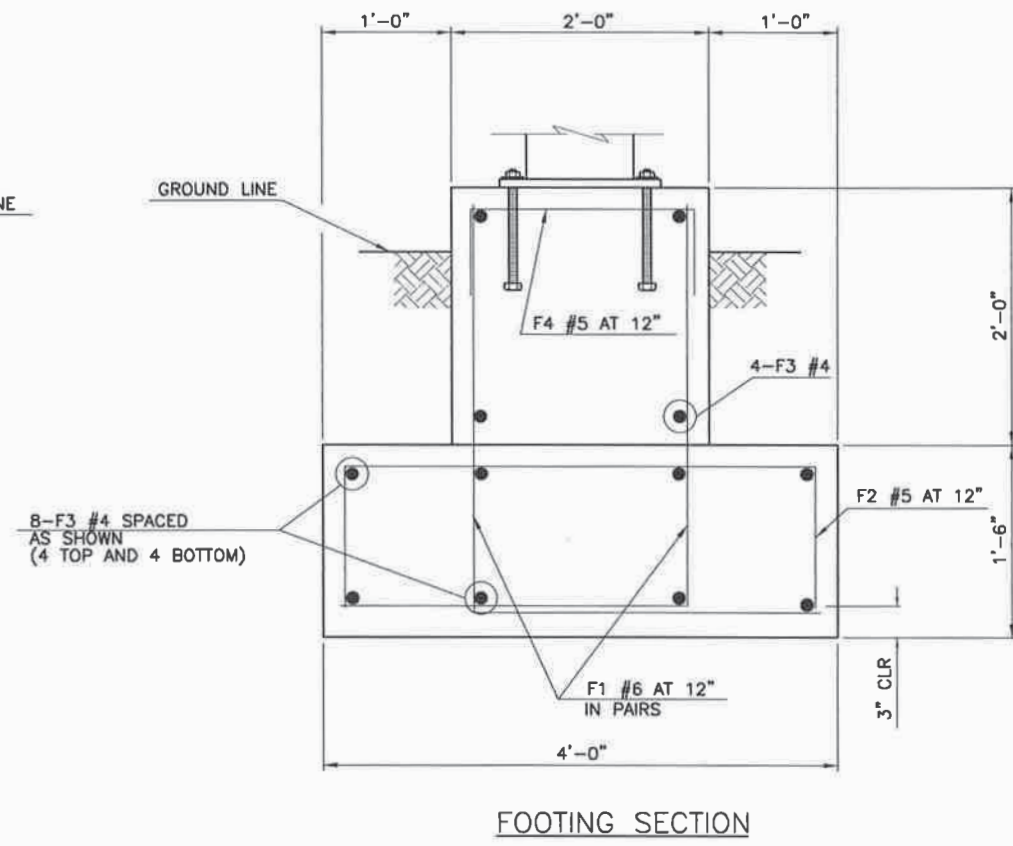
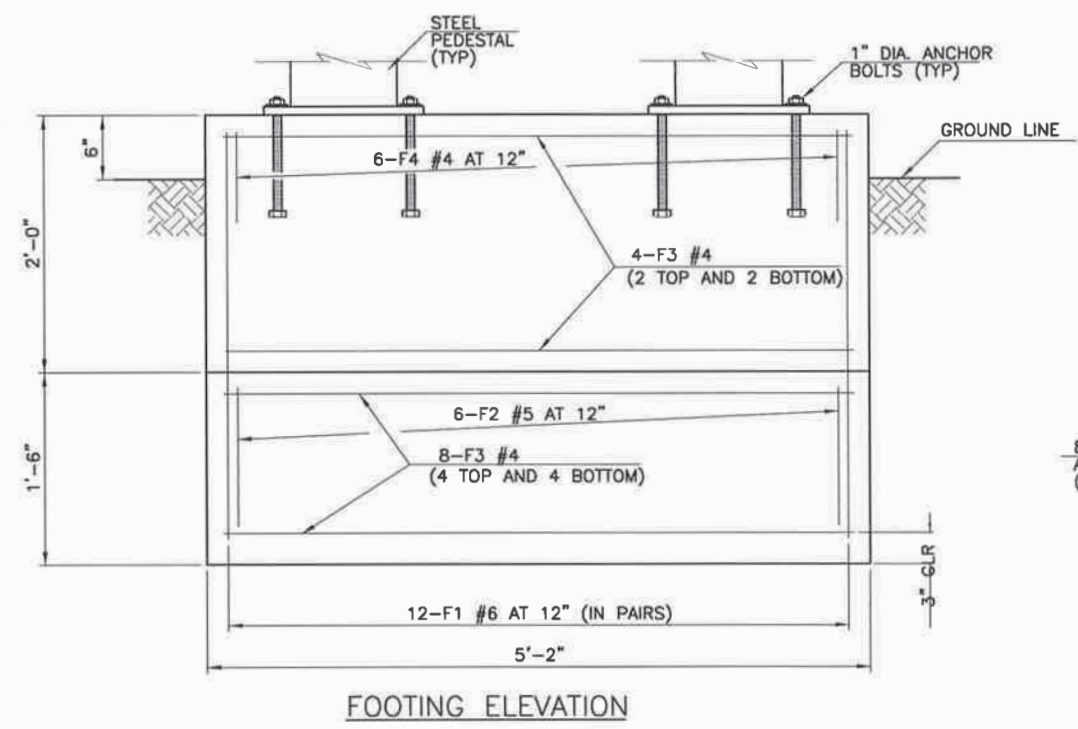


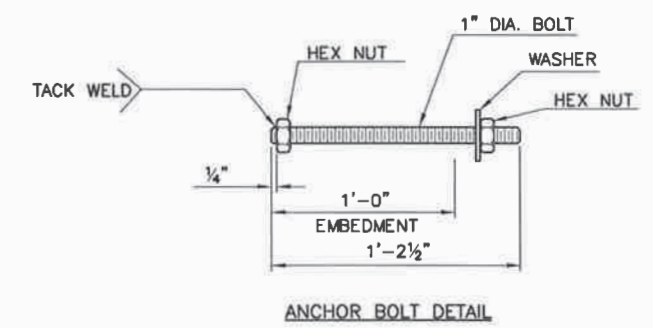
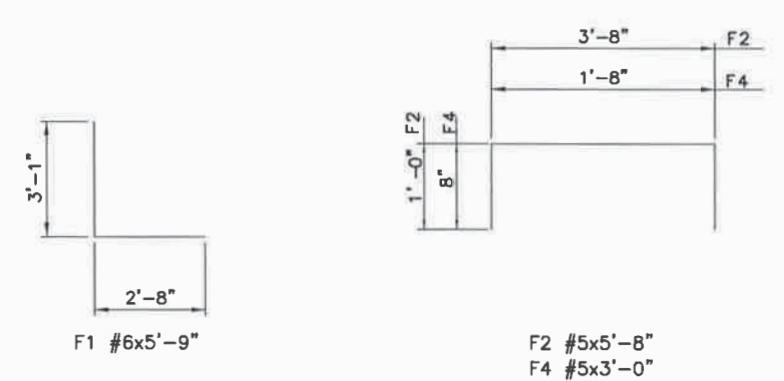
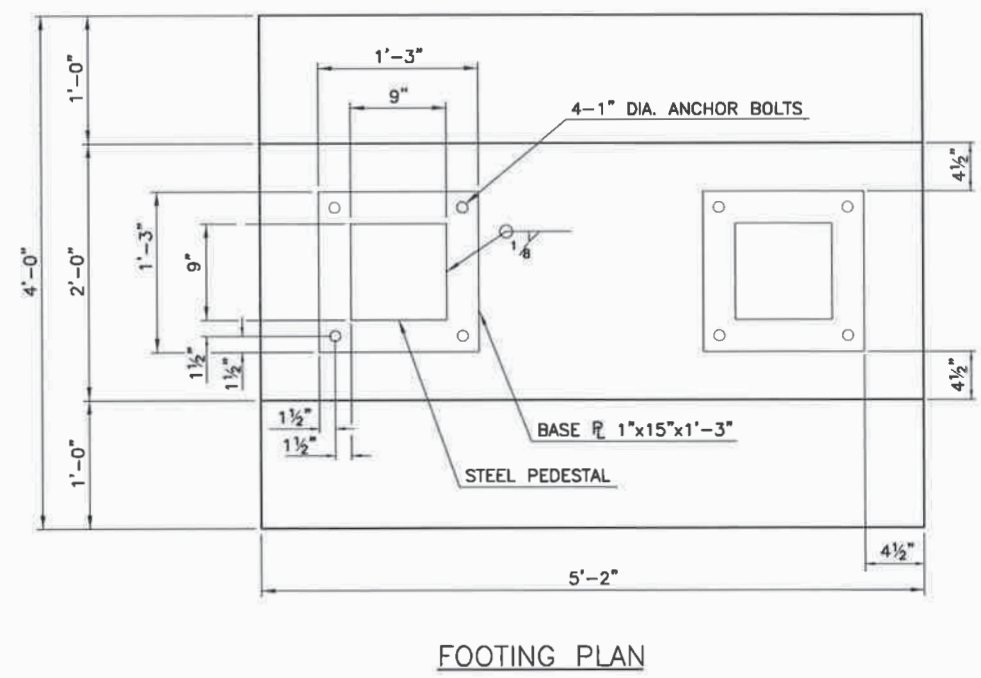
FED. ROAD DIST. NO.	STATE	PROJ. NO.	FISCAL YEAR	SHEET NO.
6	OKLA.	21860(04)	2016	B081
REVISIONS				
NO.	DATE	DESCRIPTION		



NOTE:  
SUMMARY OF QUANTITIES AND REINFORCING STEEL BAR LIST ARE PROVIDED FOR REFERENCE ONLY. ALL COSTS ASSOCIATED WITH CONSTRUCTING THE HISTORICAL BRIDGE SIGNAGE SHALL BE INCLUDED IN THE PAY ITEM "ORNAMENTAL MEDALLION".

SUMMARY OF QUANTITIES		
ITEM	UNIT	TOTAL
STRUCTURAL STEEL	LB	580.00
CLASS A CONCRETE	CY	2.00
REINFORCING STEEL	LB	260.00

FOOTING BAR LIST				
REINFORCING BARS				
MARK	SIZE	NO.	FORM	LENGTH
F1	#6	12	BNT	5'-9"
F2	#5	12	BNT	5'-8"
F3	#4	12	STR	4'-10"
F4	#5	12	BNT	3'-0"



DAVID M. NEUHAUSER, P.E.  
OKLA. REG. NO. 19980

DESIGN: CPY	SH-33 OVER	LOGAN COUNTY
DRAWN: CPY	COTTONWOOD CREEK	
CHECKED: CPY	HISTORICAL BRIDGE SIGNAGE DETAILS	
APPRVD: CPY	SHEET 2 OF 3	
JOB PIECE NO. 21860(04)		SHEET NO. B081

8/17/2016 1:55:38 PM  
 cpybw\_ansi.tbl  
 c:\p\p\ansi\B:\p\p\c\g  
 Projects\000115304\00\000115304\01\8.00 Plans and Drawings\15304.01\Kiosk-snt-2.dgn